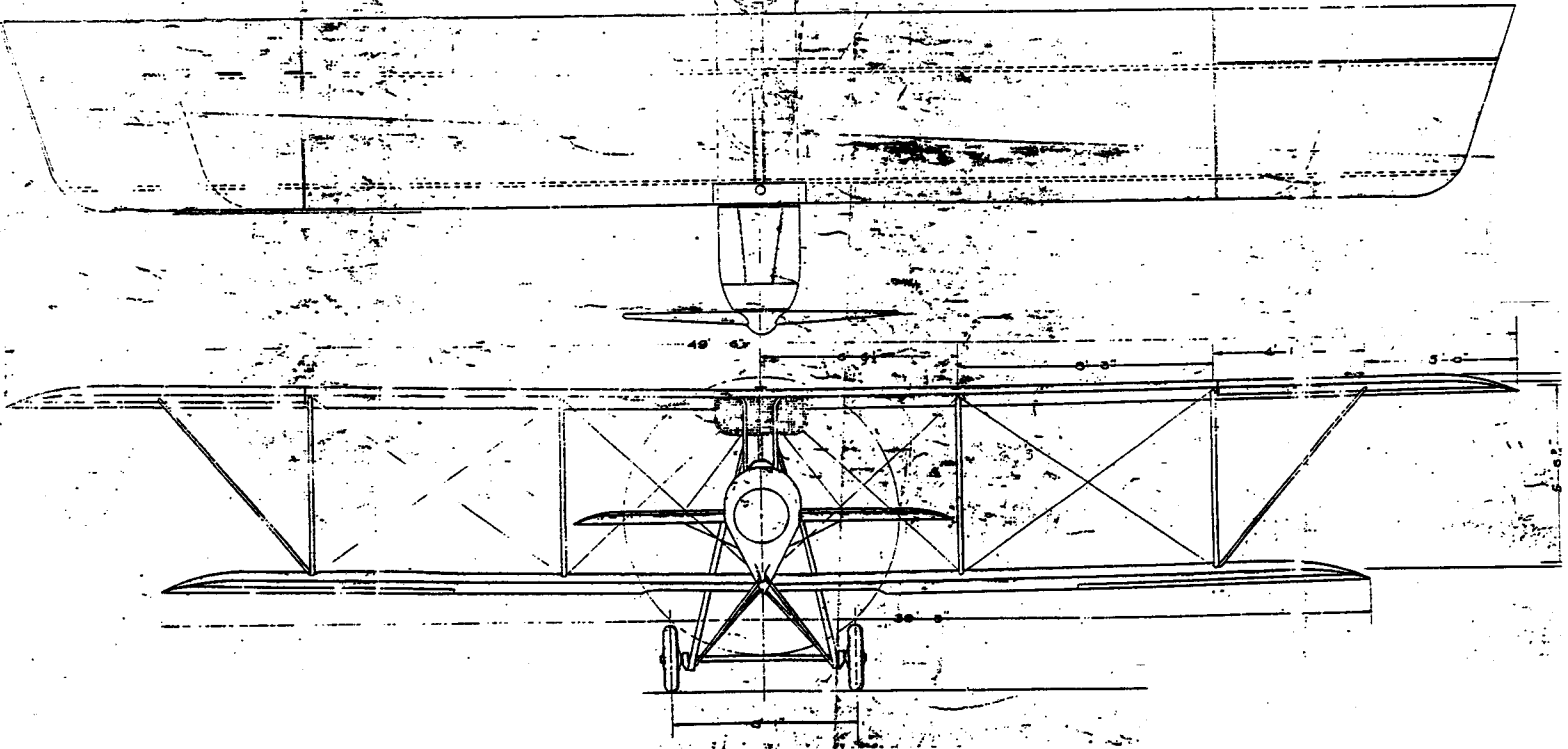
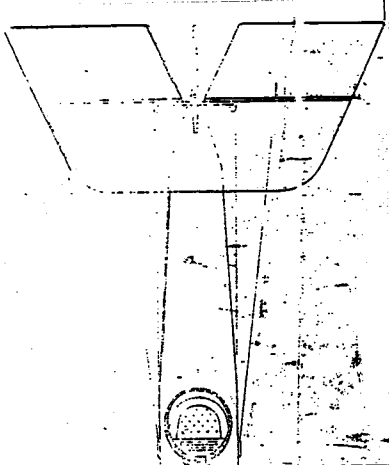
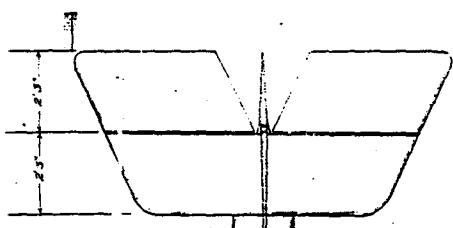
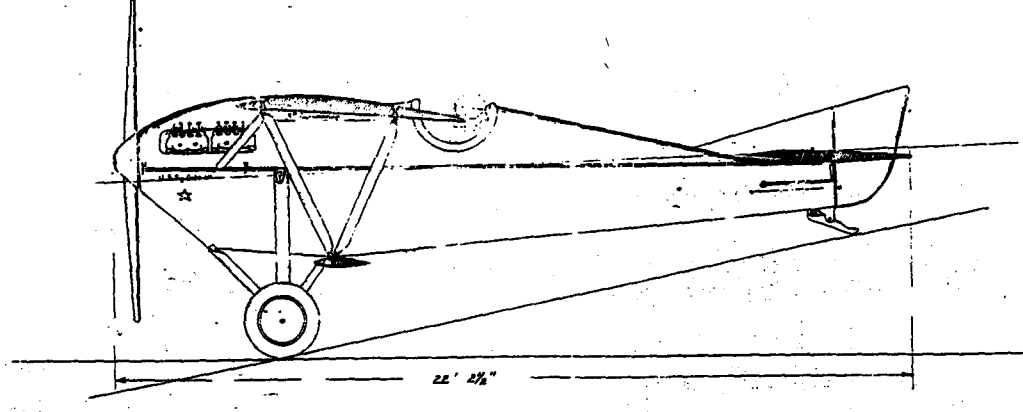


AREA OF SURFACES  
SUPPORTING SURFACES  
UPPER PLANE 283 SQFT  
LOWER PLANE 231 SQFT  
TOTAL 514 SQFT  
ELEVATOR 26 SQFT  
FLAPS 24 SQFT  
TOTAL 50 SQFT  
RUBBER 102 SQFT  
POWER  
STURTEVANT MOTOR 140 H.P.



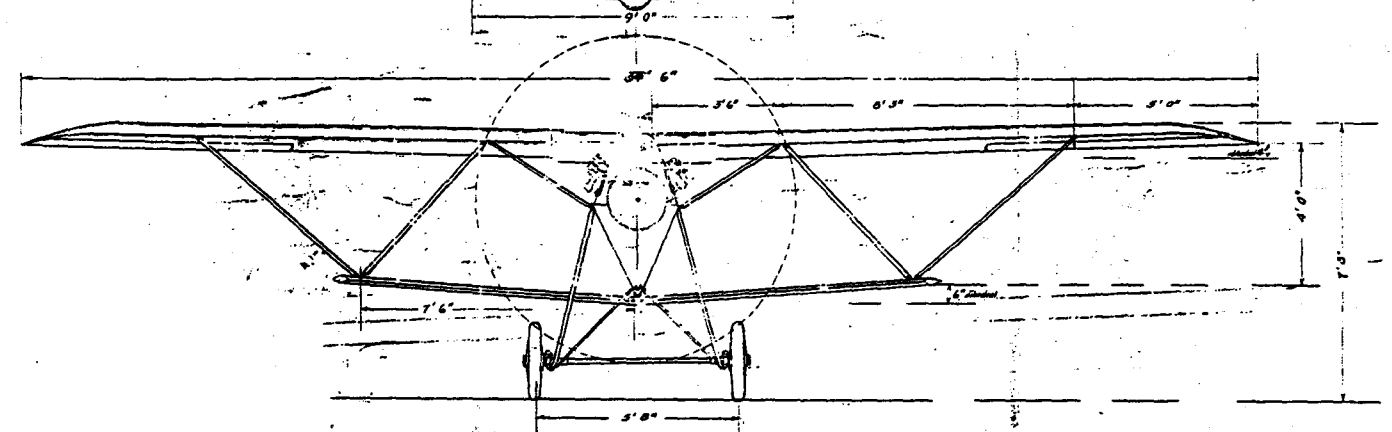
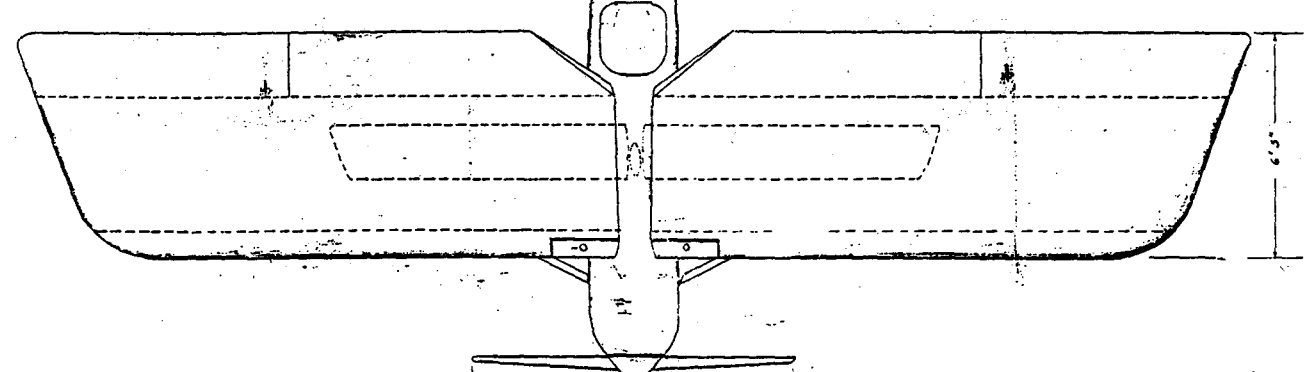
Model S2



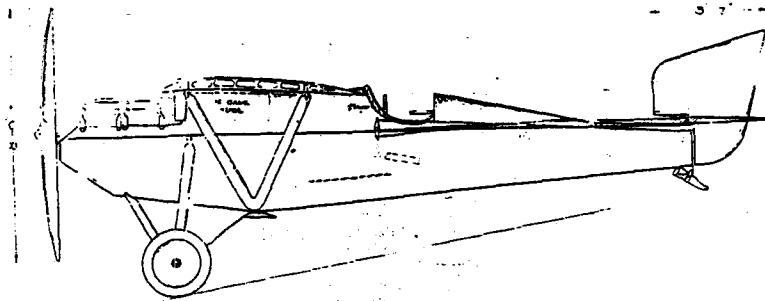
Span = 34' 6"  
 Chord = 6' 3"  
 Aspect Ratio = 5.5

Area -  
 Upper wing = 191 sqft.  
 Lower wing = 24 " "  
 Total = 215 "

Motor 150 h.p. Sturtevant, Bost.



Model B2



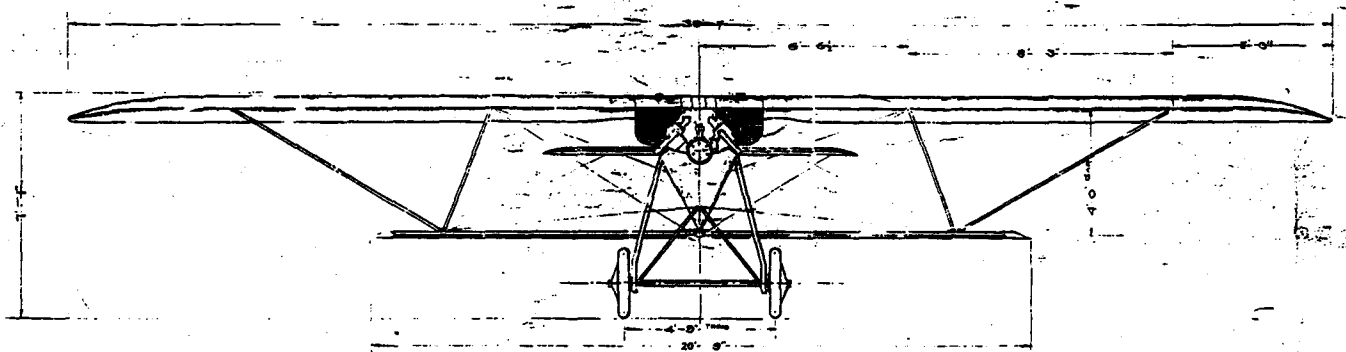
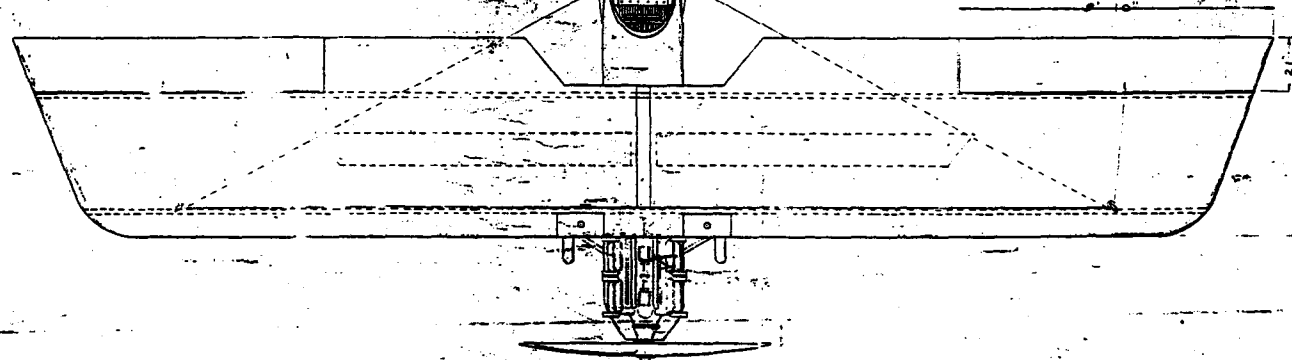
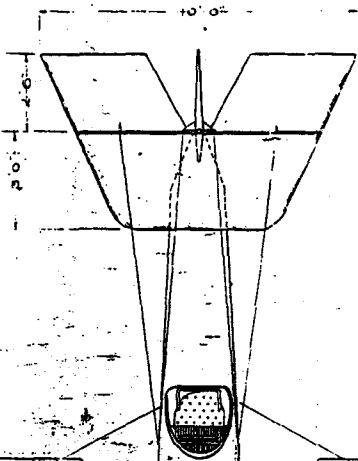
AREA OF SURFACES

SUPPORTING SURFACES  
 UPPER PLANE 217.1 Sq Ft  
 LOWER PLANE 19 Sq Ft  
 TOTAL 236.1 Sq Ft

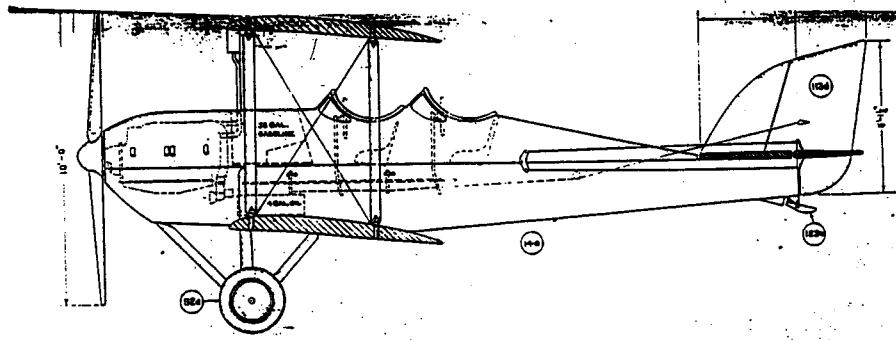
ELEVATOR  
 FIXED PLANE 19 Sq Ft  
 FLAPS 18.6 Sq Ft  
 TOTAL 37.6 Sq Ft

RUDDER 9.3 Sq Ft

POWER  
 SOLITRON MOTOR 140 HP



Model B1



**AREA of SURFACES**

**SUPPORTING SURFACES**

UPPER WING-WITH ALARONS 382.5 SQ.FT.  
 LOWER WING-WITH ALARONS 382.5 SQ.FT.  
 TOTAL 765.0 SQ.FT.

4 ALARONS @ 18.5 SQ.FT. 74.0 SQ.FT.

**ELEVATOR**

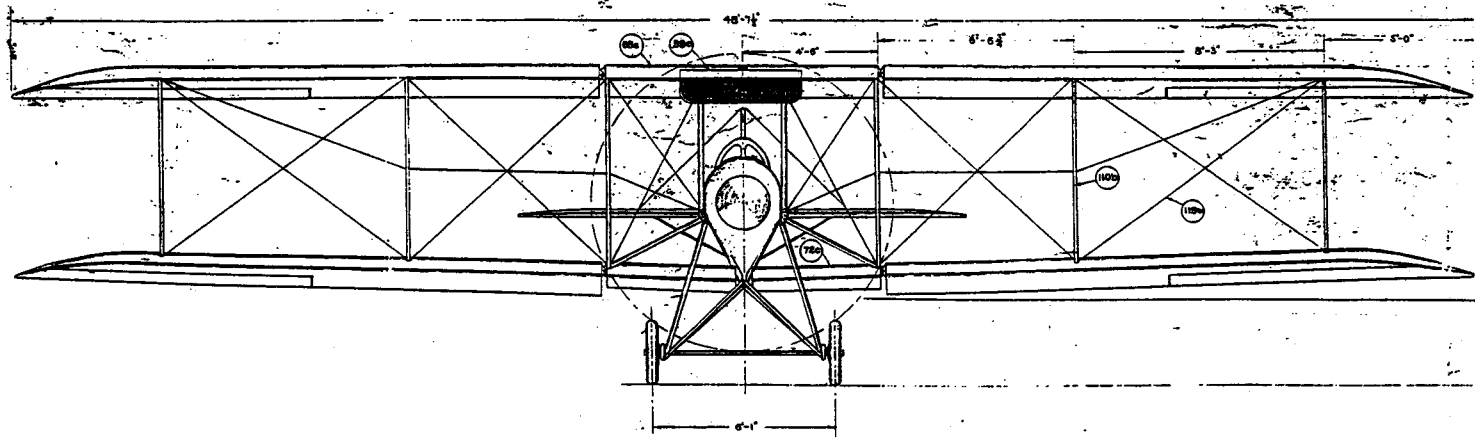
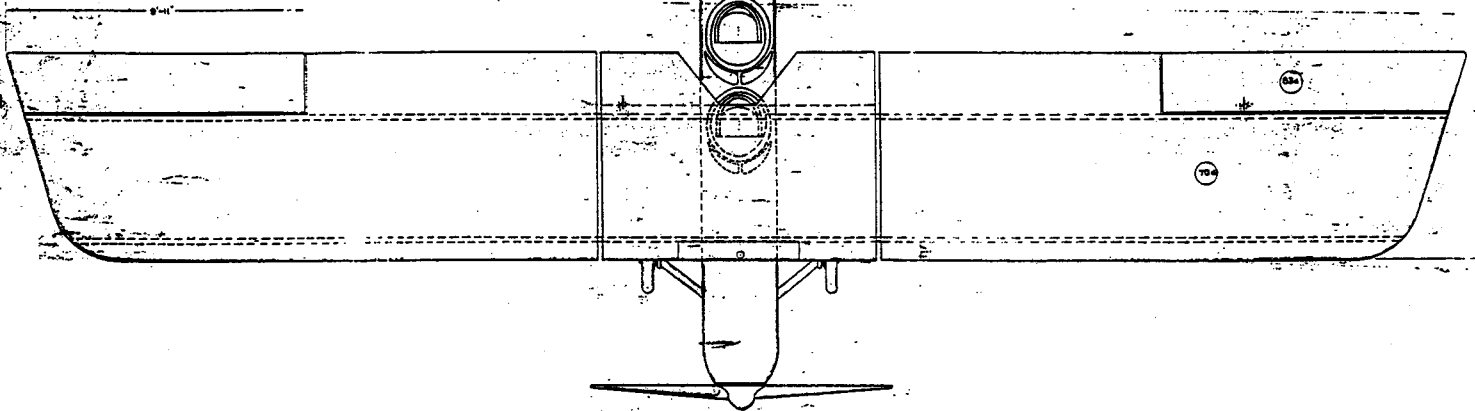
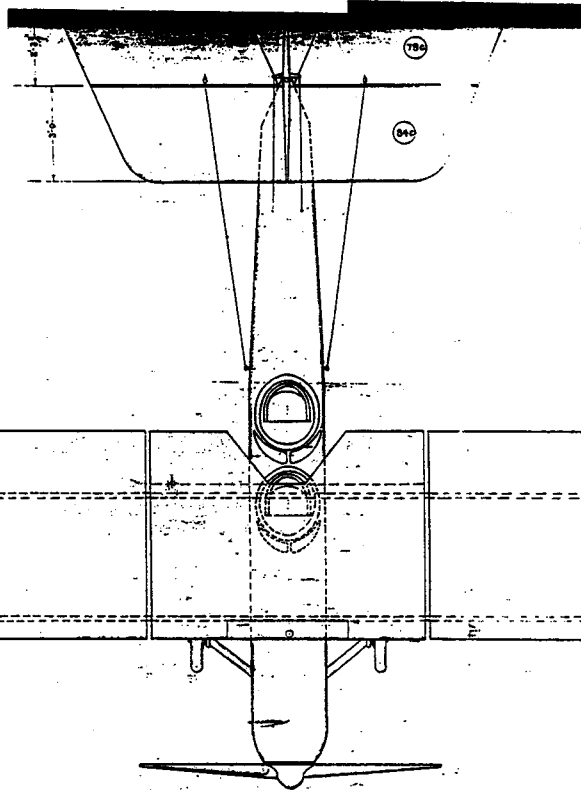
FIXED PLANE 336.5 SQ.FT.  
 2 FLAPS @ 18.5 SQ.FT. 37.0 SQ.FT.  
 TOTAL 373.5 SQ.FT.

**RUDDER**

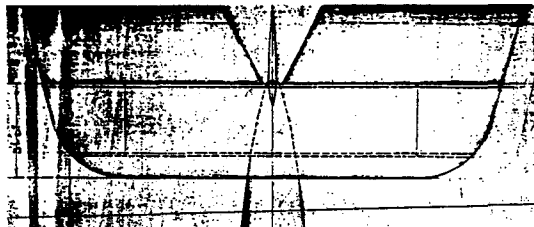
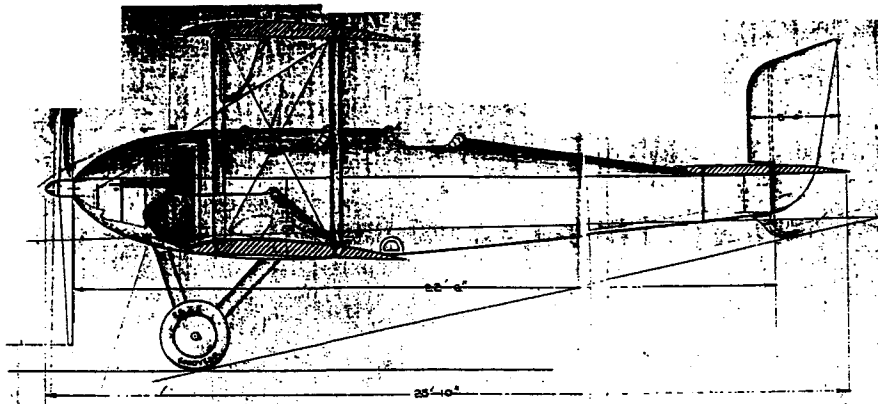
FIN 42.5 SQ.FT.  
 FLAP 10.8 SQ.FT.  
 TOTAL 53.3 SQ.FT.

**MOTORS**

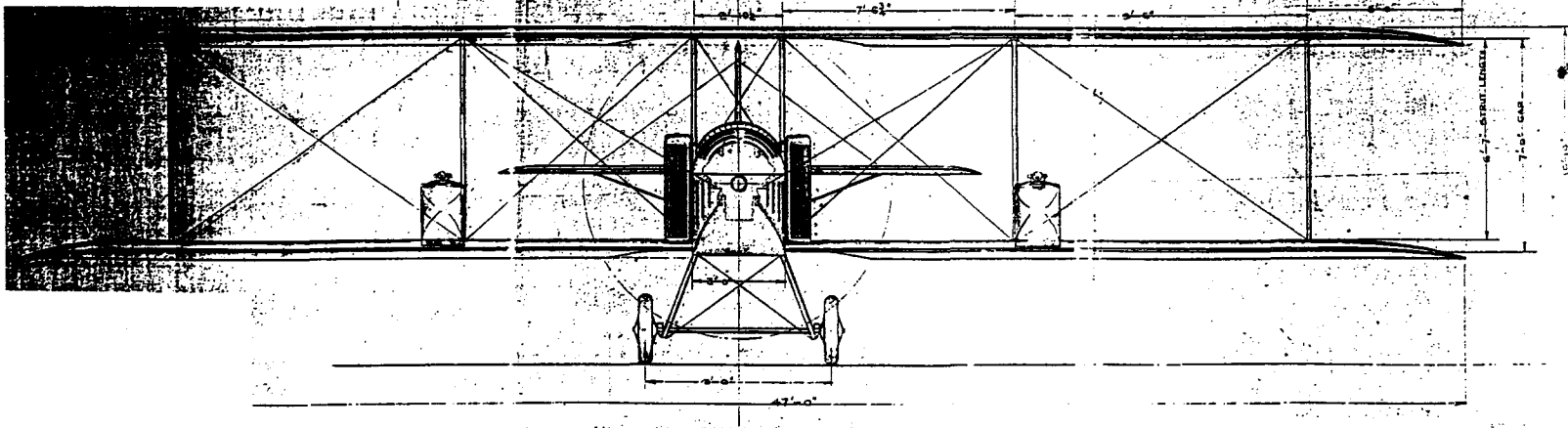
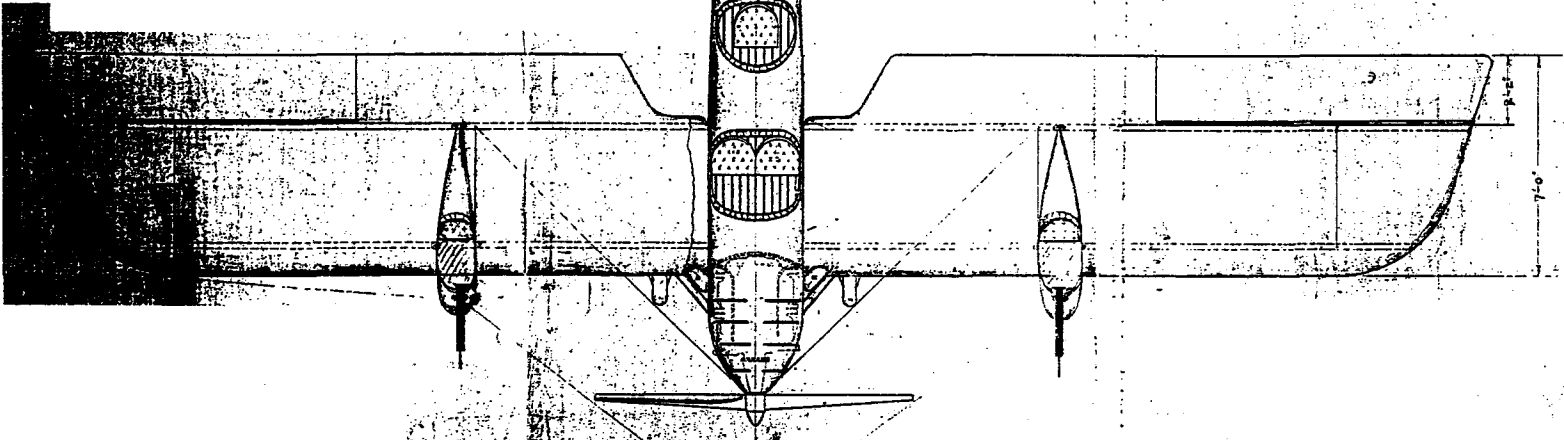
STURTEVANT MODEL SA 140 H.P.



Model 54



AREA of SURFACES  
 SUPPORTING SURFACES  
 UPPER ..... 315  
 LOWER ..... 386  
 TOTAL ..... 601.0 sq. FT.  
 ELEVATOR  
 FIXED PLANE ..... 40.5  
 FLAPS ..... 14.5  
 TOTAL ..... 75.0 sq. FT.  
 RUDDER ..... 10.5 sq. FT.  
 MOTOR 140 HP STURTEVANT



Model A